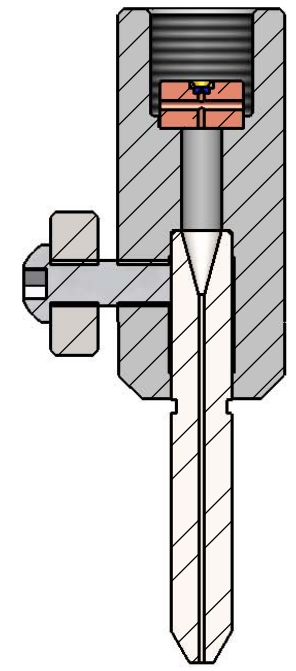
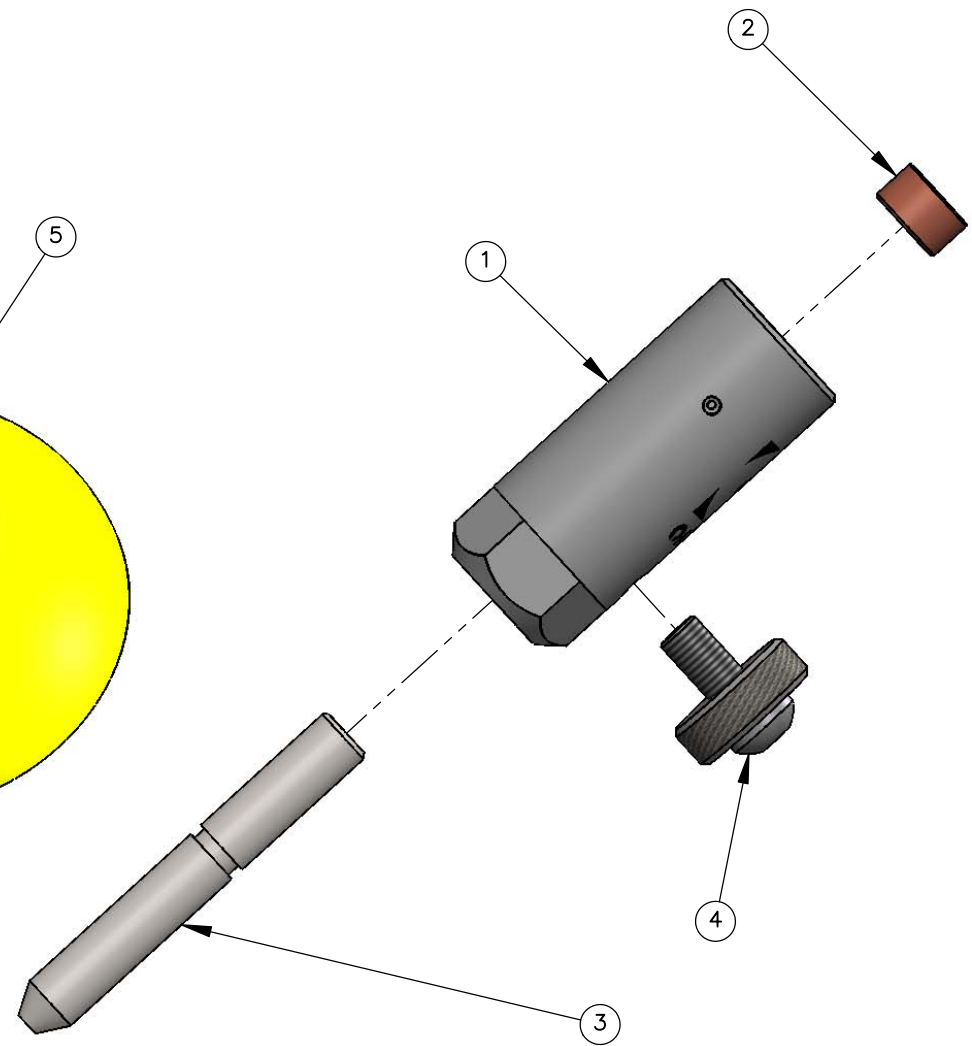
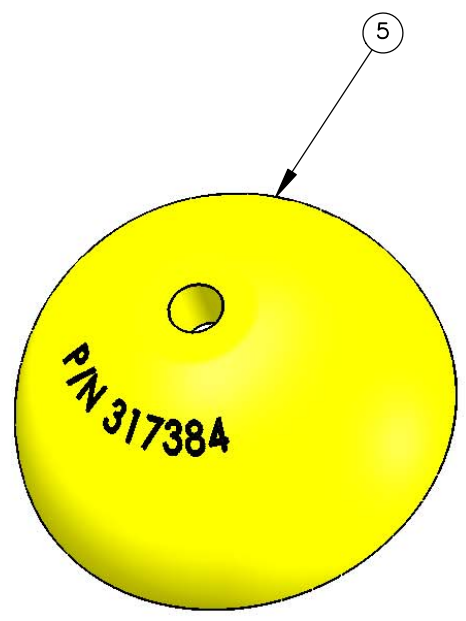


317717-08

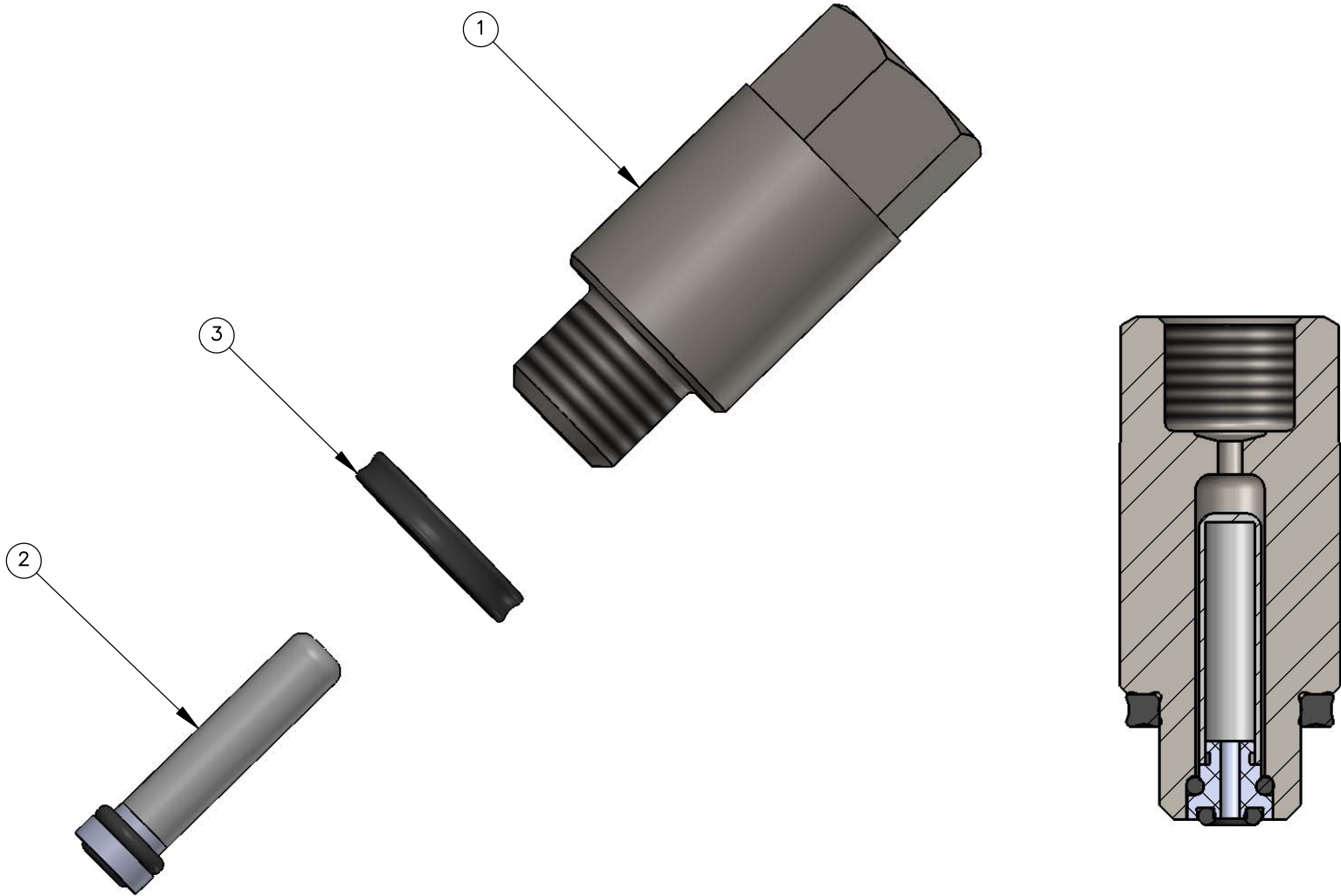
ITEM	QTY	PART
1	1	317335
2	1	317704-08
3	1	319116-030
4	1	318265
5	1	317384



10/19/2018 2:28:05 PM

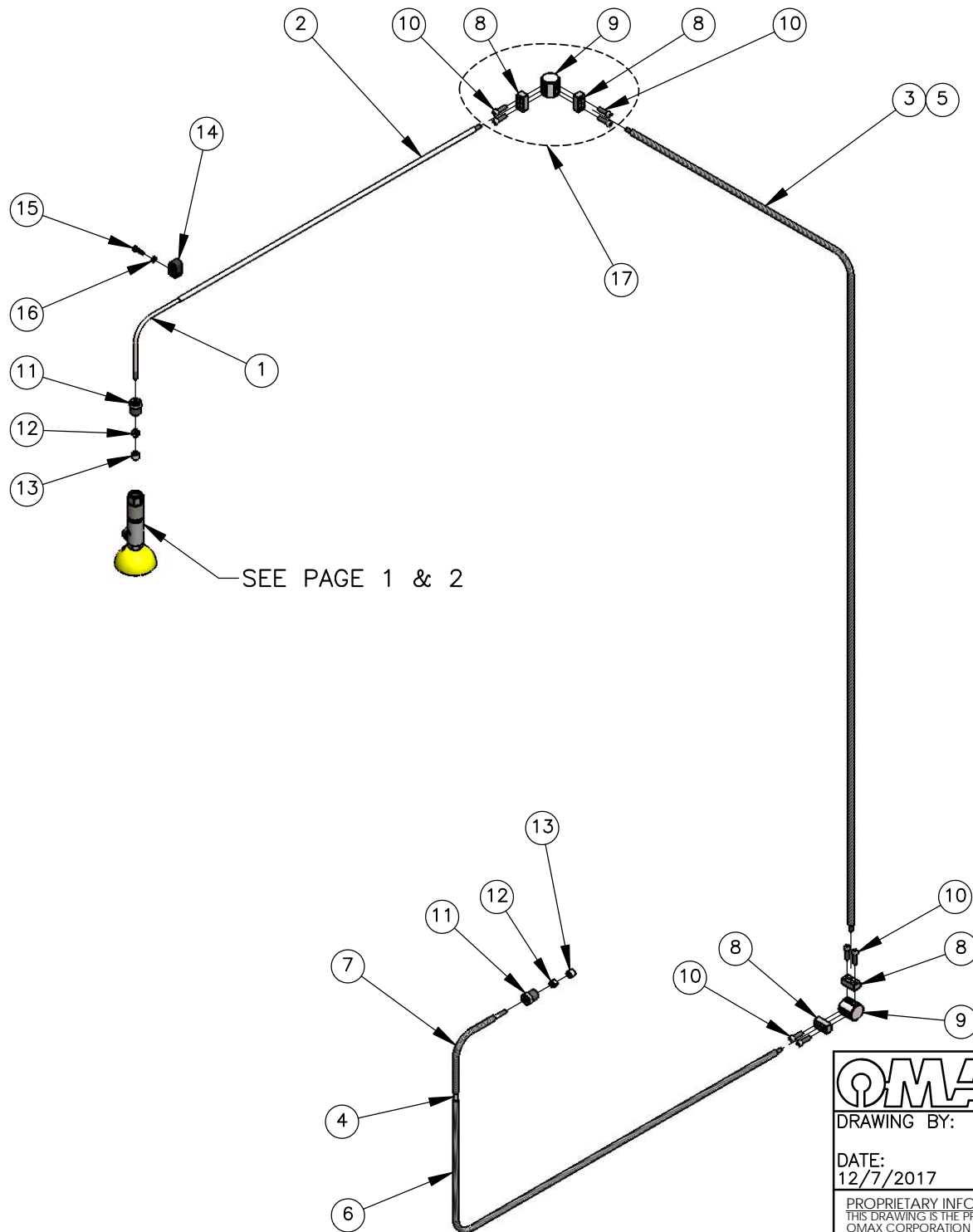
OMAX		TITLE: DIAGRAM, EXPLODED, HP SYSTEMS COMPONENTS, PROTOMAX	
DRAWING BY:	REVISED BY:	MATERIAL / SPECIFICATION SEE BOM TABLE ON DRAWING	
DATE: 12/7/2017	DATE: 10/18/2018	.	
PROPRIETARY INFORMATION THIS DRAWING IS THE PROPERTY OF OMAX CORPORATION AND NOT TO BE COPIED OR REPRODUCED WITHOUT THE WRITTEN CONSENT OF OMAX CORPORATION.	APPROVED BY: Kurt Nelson DATE: 10/19/2018	SHEET 1 OF 3	REVISION: C
		DWG # 401542	

317718		
ITEM	QTY	PART NUMBER
1	1	317716
2	1	317715
3	1	208743



10/19/2018 2:28:05 PM

OMAX		TITLE: DIAGRAM, EXPLODED, HP SYSTEMS COMPONENTS, PROTOMAX	
DRAWING BY:	REVISED BY:	MATERIAL / SPECIFICATION SEE BOM TABLE ON DRAWING	
DATE: 12/7/2017	DATE: 10/18/2018	.	
PROPRIETARY INFORMATION THIS DRAWING IS THE PROPERTY OF OMAX CORPORATION AND NOT TO BE COPIED OR REPRODUCED WITHOUT THE WRITTEN CONSENT OF OMAX CORPORATION.	APPROVED BY: Kurt Nelson DATE: 10/19/2018	SHEET 2 OF 3	REVISION: C
		DWG # 401542	



SEE PAGE 1 & 2

317458

ITEM	QTY	PART NUMBER
1	1	317719
2	1	317746
3	1	317720
4	1	317721
5	1	317734-64
6	1	317734-35
7	1	317734-6.3
8	4	317030
9	2	316460
10	8	201946
11	2	200097
12	2	316655
13	2	316654
14	1	317567
15	1	207183
16	1	200167
17	2	318329



TITLE: **DIAGRAM, EXPLODED, HP SYSTEMS COMPONENTS, PROTOMAX**

DRAWING BY:

REVISED BY:

MATERIAL / SPECIFICATION
SEE BOM TABLE ON DRAWING

DATE:
12/7/2017

DATE:
10/18/2017

PROPRIETARY INFORMATION
THIS DRAWING IS THE PROPERTY OF
OMAX CORPORATION AND NOT
TO BE COPIED OR REPRODUCED
WITHOUT THE WRITTEN CONSENT OF
OMAX CORPORATION.

APPROVED BY:
Kurt Nelson
DATE:
10/19/2018

SHEET 3 OF 3 REVISION: **C**

DWG # **401542**

10/19/2018 2:28:05 PM